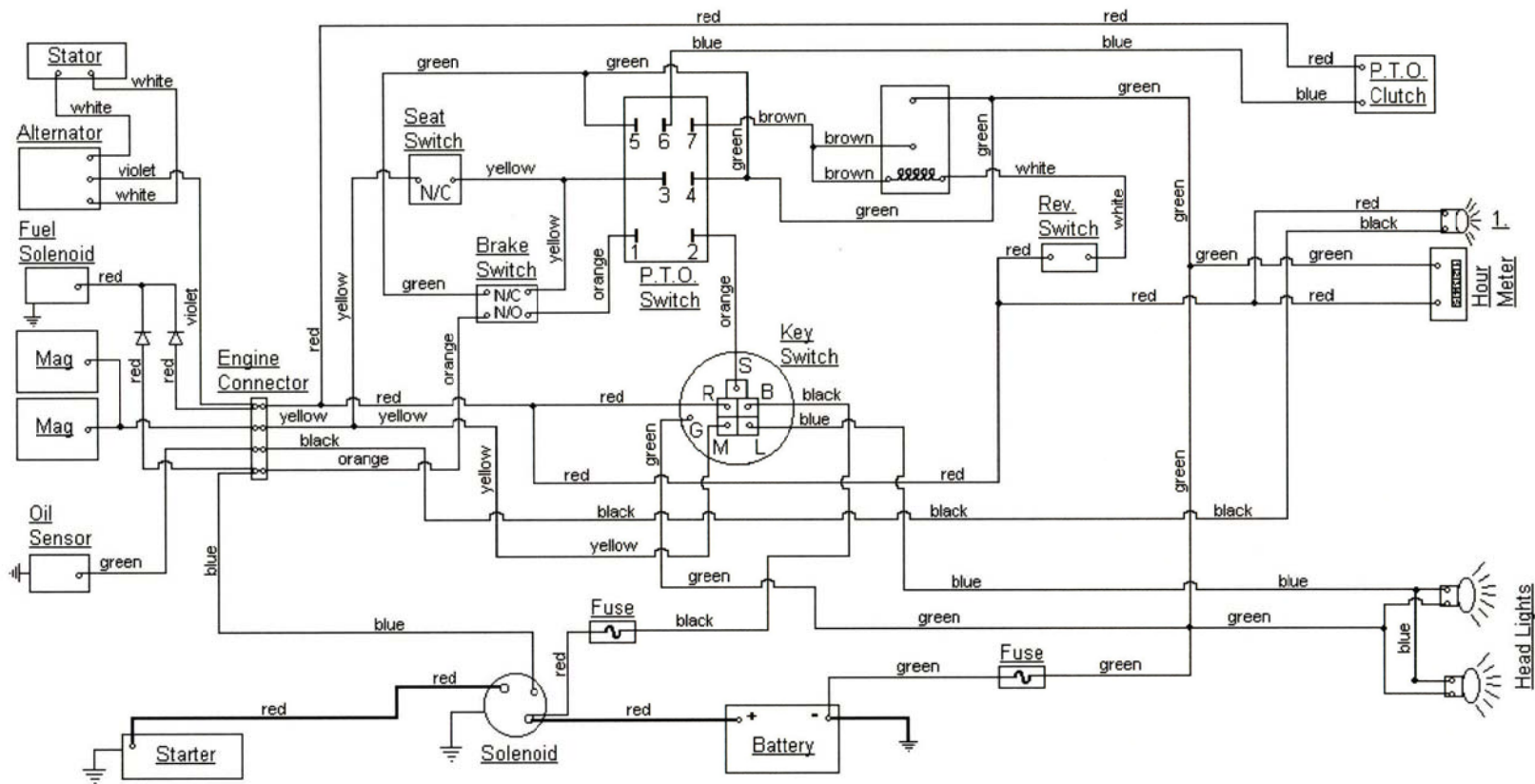


MODEL 2185 (1999-2000)  
SERIAL NUMBERS (I018G3 - Above)

**CUBCADETPARTSNMORE.COM**

**515-266-7944**



**KEY SWITCH**

OFF	M+G
RUN w/LIGHTS	B+R+L
RUN	B+R
START	B+S

**DASH LIGHTS**

1:	LOW OIL
----	---------